

PRODUCT DETAILS

The Bianco FC150M is a robust cast iron, single-stage, horizontal, end-suction centrifugal pump. Manufactured using high-quality materials and components, Bianco FC series are quiet and reliable, offering 'best in class' high-performance operation.

APPLICATIONS

- Ideal for use in small-scale agriculture, horticulture or other limited industrial services.
- Wash-down, tank filling, HVAC, circulation, fire suppression, pressure boosting.

FEATURES

- 240V single-phase TEFC motor with inbuilt auto-reset thermal overload to prevent pump from damage
- 2m H07 power cable with IEC Type I AU/NZ 10A 3-pin plug
- Excellent motor and hydraulic efficiency
- Electrochemical **cataphoresis** treatment applied to the pump body for enhanced corrosion resistance.

To protect the pump from excessive cycling and to isolate from the effects of water hammer, adding a pressure tank to the system is highly recommended.

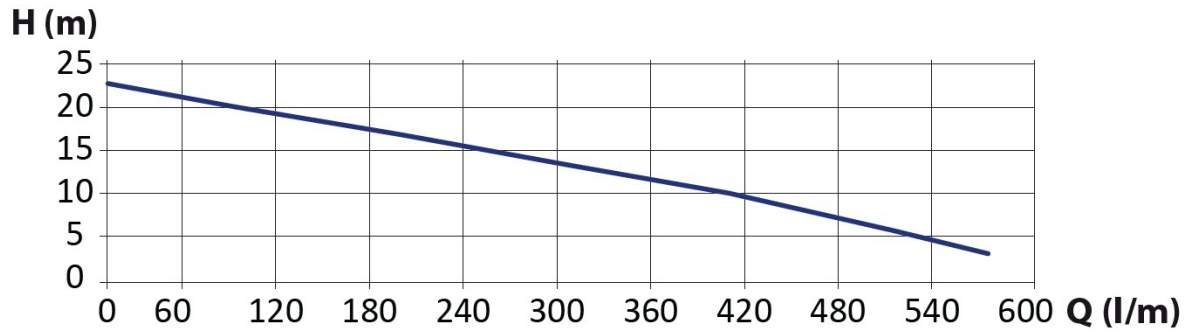


TECHNICAL DATA

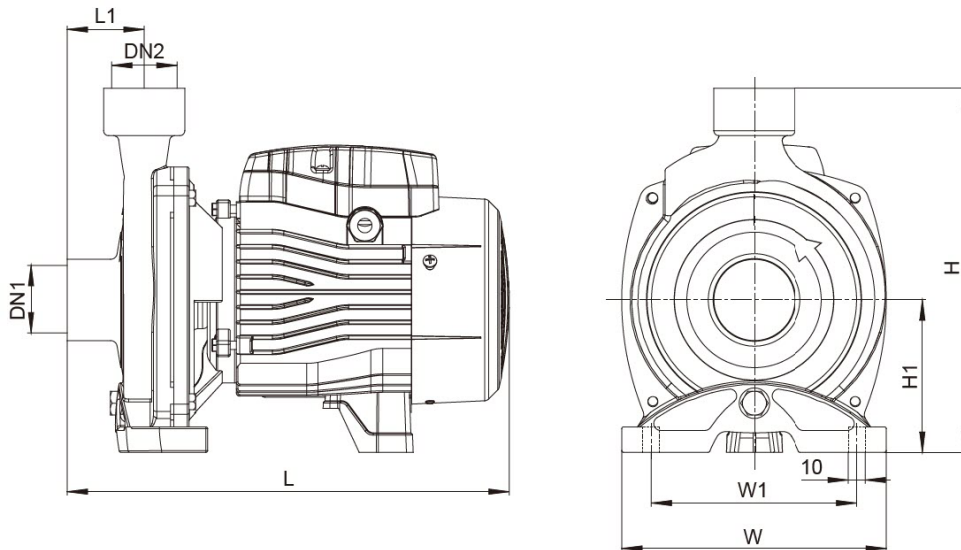
RATED POWER (P2)	1.5kW (2.0hp)
MAX. FLOW [LPM]	550 L/min
MAX. HEAD [M]	22 m
MAX. PRESSURE RATING	8 bar
FLUID TEMPERATURE RANGE	4 – 60°C
MAX. AMBIENT TEMPERATURE	40°C
MOTOR RATING	Continuous
MOTOR INSULATION	Class F
PUMP BODY	Cast Iron HT200
MOTOR SHAFT AND IMPELLER	304-grade stainless steel
MECHANICAL SEAL	Carbon / Ceramic
O-RINGS	Nitrile

RATED VOLTAGE	1ph 220 (-6%) to 240V (+6%) 50Hz
RATED CURRENT	10 A
RATED SPEED (RPM)	2800 (2-pole)
MOTOR TYPE	Asynchronous TEFC
IP RATING	IP44
SUCTION CONNECTION	2" BSPF
DISCHARGE CONNECTION	2" BSPF
AUTOMATIC OPERATION	N/A – bare pump only
MOTOR PROTECTION	Auto-resetting thermal overload
CAPACITOR	40µF 450Vc ± 5%
DIMENSIONS (L X W X H)	445 x 255 x 300mm
GROSS WEIGHT (KG)	21.0 kg

CURVE



DIMENSIONS



MODEL	L	W	H	L1	W1	H1	Bolt Hole Ø	DN1	DN2
BIA - FC150M	378mm	206mm	263mm	51mm	207mm	115mm	10mm	1 1/4" BSPF In	1" BSPF Out

WARRANTY / CERTIFICATIONS

