

CM Booster PM START

Same industrial quality pump, new generation controller.

The Grundfos CM Booster, now with PM START Pressure Controller, is designed to deliver rainwater into the home from above ground water sources, like rainwater tanks or dams.

- **Automated control and ongoing protection** - The robust PM START controller provides a basic level of pump control and protective features, like automatic start on demand and dry-run protection
- **Industrial quality** - Designed and built to suit industrial applications, so easily handles larger domestic water supply or boosting tasks
- **Quiet operation** - Very quiet operation that won't disturb your family or neighbours
- **Easy installation** – plug & pump - Connect the pump inlet and outlet to the pipework, prime the pump, plug into a power outlet and you're ready to pump
- **Heavy duty construction** - Constructed from heavy duty cast iron and stainless steel components.
- **Generator friendly** - runs happily on a generator, in off-grid or power back-up situations.



Replacement part numbers and List Price

From December 2025 new part numbers are being phased in, as stocks of the current part numbers are depleted. When ordering on Grundfos Extranet, part number substitution will occur automatically.

The List Price for all new CM Booster part numbers remain the same as previous part numbers, subject to change in the future.

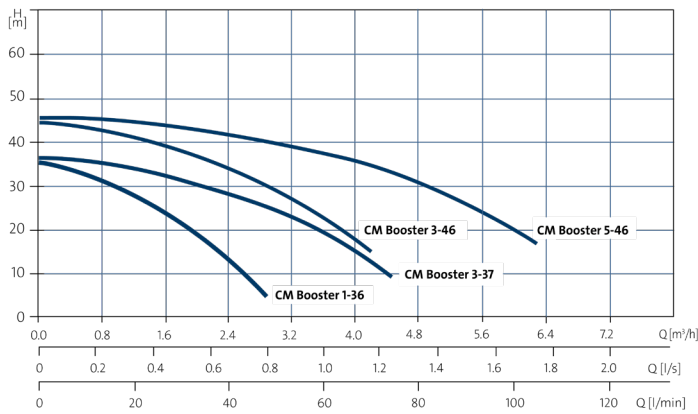
SIZE	CM Booster PM1 Current Part Number	PM1 Cut-in Pressure		CM Booster PM START New Part Number	PM START Cut-in Pressure
CMB 1-36	97530097	1.5 bar	→	93332863	1.5 bar
CMB 3-37	97530133	1.5 bar	→	93332868	1.5 bar
CMB 3-46	97530142	2.2 bar	→	93349016	2.2 bar
CMB 5-46	97530169	2.2 bar	→	93332725	2.2 bar

GRUNDFOS 

Possibility in every drop

CM Booster PM START

Performance Curves



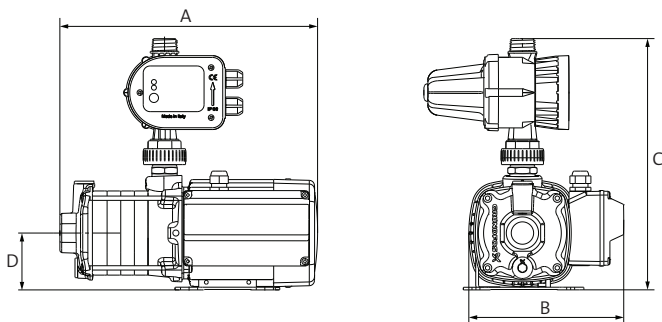
Pump Sizing

Higher Pressure for multi-level dwellings and long runs of pipe		CM Booster 3-46	CM Booster 5-46	CM Booster 5-46
Higher Pressure for double storey dwellings and long runs of pipe	CM Booster 1-36	CM Booster 3-37	CM Booster 5-46	CM Booster 5-46
Adequate Pressure for most single storey dwellings	CM Booster 1-36	CM Booster 3-37	CM Booster 5-46	CM Booster 5-46
	Small House 2-3 taps	Medium House 3-4 taps	Large House 4-5 taps	Large House + Irrigation 5-7 taps

*Taps are 15l/min at 25.5m head

Operating Conditions

Supply voltage	1 × 220- 230 V 50 Hz
System Pressure	Max. 10 bar
Liquid Temperature	0°C to 40°C
Ambient Temperature	-20°C to 50°C
Enclosure class	IP55
Sound Pressure	Max. 55dB



Technical and Dimension Information

	Motor Power P2 (kW)	Connections		Dimensions				Weight
		Inlet	Outlet	A (l)	B (w)	C (h)	D (Inlet)	
CMB 1-36	0.50	1" F	1" M	324	221	301	75	15
CMB 3-37	0.50	1" F	1" M	324	221	301	75	15
CMB 3-46	0.50	1" F	1" M	342	221	301	75	17
CMB 5-46	0.90	1 ¼" F	1" M	382	221	329	75	18