

# HYBRID™ 16 & 17

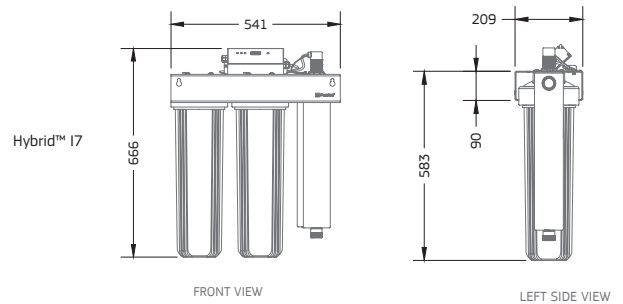
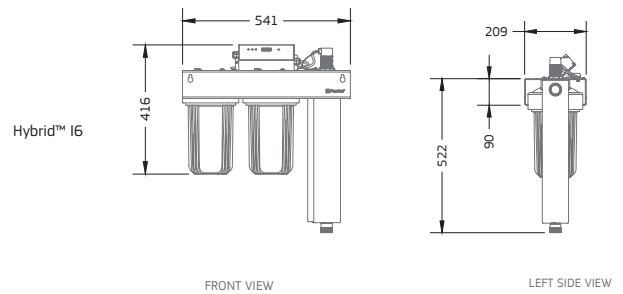
High Flow Indoor UV System with Reversible Bracket

RAINWATER



REGISTERED DESIGN  
Patent Pending

\*Copper pipes, fittings and pump (pictured) not included.



Note: All dimensions are in mm.

## Specifications

Ordering Code	Pressure** (kPa)	Max. Flow (Lpm)	Connection	Micron Rating*
HYBRID-16-LF	300-875	75	1" BSP(Male) 25 mm	5
HYBRID-17-LF	300-875	130	1" BSP(Male) 25 mm	5

Min/Max Temperature: 0 - 52°C (protect from freezing)

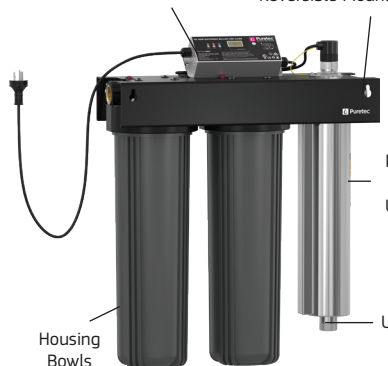
## MAINTENANCE KIT

Ordering Code	Components
HR-EI6	Hybrid™ 16 Maintenance Kit includes: <ul style="list-style-type: none"> <li>• 10" MaxiPlus™ Pleated Sediment Cartridge [PLOSMP1]</li> <li>• Dual Purpose Carbon Filter [DP10MP1]</li> <li>• 46W UV Lamp [RL7]</li> <li>• Replacement Quartz Sleeve [RQS6]</li> </ul>
HR-EI7	Hybrid™ 17 Maintenance Kit includes: <ul style="list-style-type: none"> <li>• 20" MaxiPlus™ Pleated Sediment Cartridge [PLOSMP2]</li> <li>• Dual Purpose Carbon Filter [DP10MP2]</li> <li>• 46W UV Lamp [RL7]</li> <li>• Replacement Quartz Sleeve [RQS6]</li> </ul>

## Parts Included



Electronic Controller Reversible Mounting Bracket



Integrated Radfire™ Ultraviolet Steriliser Chamber

UV Lamp (RL7)

Housing Bowls

Warranty: Use only genuine Puretec replacement cartridges. 3 year warranty is 1 year parts and labour, 2 years parts only. Excludes consumables.



**Warning:** Please visit [www.puretecgroupp.com/instructions](http://www.puretecgroupp.com/instructions) to observe essential manufacturer's instructions before use. **Note:** No claims can be made based on the specifications and images in this document. The design, technology, colours, features and prices are subject to change. This document and all its contents are copyright protected. All rights are reserved, particularly alteration, translation and reproduction using electronic systems. This spec sheet has been designed to help make product selection easy. However due to the complex nature of water chemistry, we strongly encourage confirming any product selection with one of our team. We may need to perform a water analysis test to confirm contaminants in water. **Caution:** Do not use with microbiologically unsafe water or water of unknown quality without adequate disinfection before or after the system. **Warranty:** \*Warranties in this document cover parts for the period stated and include cover for parts and labour for the first year where applicable, subject to approval. Excludes consumables. \*\*Micron Rating is nominal. Our Water Filtration Specialists can provide you with advice to suit your needs. \*\*\*Where line pressure exceeds 520kPa, an approved pressure limiting device must be installed to comply with Australian & New Zealand Plumbing Standards (Ref. AS 35001:2021, Clause 3.3.4). Maximum flow depends on cartridges, vessel, pressure, impurities etc.